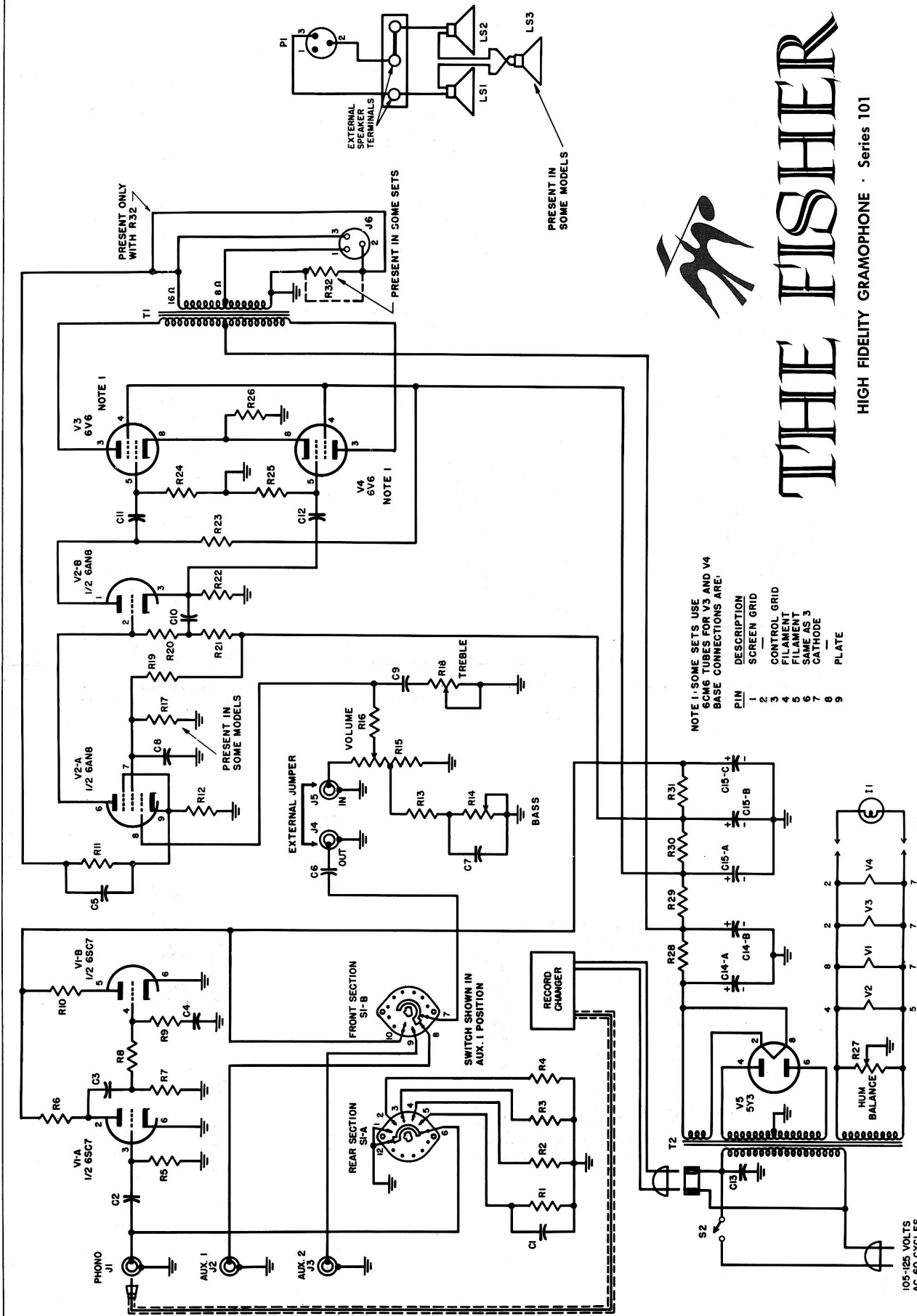




# THE FISHER

HIGH FIDELITY GRAMOPHONE · Series 101



**PARTS DESCRIPTION LIST**

SYMBOL	DESCRIPTION	PART NO.	SYMBOL	DESCRIPTION	PART NO.
C-1	Capacitor: 0.0039 mfd, 10%; 200V	C-68P392K2	R-10	Resistor, Composition: 100,000 ohms, 10%; 1/2 W	RC-20BF104K
C-2	Capacitor: 0.022 mfd, 20%; 400V	C-68P223M4	R-11	Resistor, Composition: 10,000 ohms, 10%; 1/2 W	RC-20BF103K
C-3	Capacitor: 0.01 mfd, 20%; 400V	C-68P103M4		(On some models: 100,000 ohms, 10%; 1/2 W	RC-20BF104K)
C-4	Capacitor: 0.0047 mfd, 10%; 400V	C-68P472K4	R-12	Resistor, Composition: 1500 ohms, 10%; 1/2 W	RC-20BF152K
C-5	Capacitor, Ceramic: 420 mmfd; 500V (On some models: 24 mmfd; 500V	C-3308 C-3392)	R-13	Resistor, Composition: 10,000 ohms, 10%; 1/2 W	RC-20BF103K
C-6	Capacitor: 0.01 mfd, 20%; 400V	C-68P103M4	R-14	Potentiometer, Composition: 250,000 ohms	R - 50000-10
C-7	Capacitor: 0.022 mfd, 20%; 400V	C-68P223M4	R-15	Potentiometer, Composition: 500,000 ohms, tapped at 125,000 ohms	R - 50000-11
C-8	Capacitor: 0.22 mfd, 10%; 400V	C-69P224V4	R-16	Resistor, Composition: 220,000 ohms, 10%; 1/2 W	RC-20BF224K
C-9	Capacitor, Ceramic: 1000 mmfd; 500V	C-3419	R-17	Resistor, Composition: 470,000 ohms, 10%; 1/2 W	RC-20BF474K
C-10	Capacitor: 0.22 mfd, 10%; 400V	C-69P224V4	R-18	Potentiometer, Composition: 1 megohm	R - 50000-9
C-11, C-12	Capacitor: 0.01 mfd, 20%; 400V	C-68P103M4	R-19	Resistor, Composition: 2.2 megohms, 10%; 1/2 W	RC-20BF225K
C-13	Capacitor, Molded: 0.01 mfd; 600V	C-2747	R-20	Resistor, Composition: 220,000 ohms, 10%; 1/2 W	RC-20BF224K
C-14A, B	Capacitor, Electrolytic: 40 mfd; 450V	C-1798	R-21, R-22	Resistor, Composition: 100,000 ohms, 10%; 1/2 W	RC-20BF104K
C-15A, B, C	Capacitor, Electrolytic: 2 sections, 40 mfd 1 section 20 mfd; 450V	C-50028-1 I-50009-1	R-23	Resistor, Composition: 47,000 ohms, 10%; 1/2 W	RC-20BF473K
I-1	Pilot Lamp	P-1590	R-24, R-25	Resistor, Composition: 470,000 ohms, 10%; 1/2 W	RC-20BF474K
P-1	Plug, Speaker		R-26	Resistor, Wirewound: 250 ohms 4W	R - 539-121
R-1	Resistor, Composition: 27,000 ohms, 10%; 1/2 W (On some models: 100,000 ohms, 10%; 1/2 W	RC-20BF273K RC-20BF104K)	R-27	Potentiometer, Wirewound: 500 ohms	R - 516-128
R-2	Resistor, Composition: 15,000 ohms, 10%; 1/2 W (On some models: 22,000 ohms, 10%; 1/2 W	RC-20BF153K RC-20BF223K)	R-28	Resistor, Wirewound: 200 ohms; 4W	R - 539-120
R-3	Resistor, Composition: 4,700 ohms, 10%; 1/2 W (On some models: 6,800 ohms, 10%; 1/2 W	RC-20BF472K RC-20BF682K)	R-29	Resistor, Composition: 2200 ohms, 10%; 1/2 W	RC-20BF222K
R-4	Resistor, Composition: 3,900 ohms, 10%; 1/2 W (On some models: 2,200 ohms, 10%; 1/2 W	RC-20BF392K RC-20BF222K)	R-30	Resistor, Composition: 4700 ohms, 10%; 1/2 W	RC-20BF472K
R-5	Resistor, Composition: 22 megohms, 10%; 1/2 W	RC-20BF226K	R-31	Resistor, Composition: 22,000 ohms, 10%; 1/2 W	RC-20BF223K
R-6	Resistor, Composition: 100,000 ohms, 10%; 1/2 W	RC-20BF104K	R-32	Resistor, Wirewound: 2 ohms; 2 W	R - 539-108
R-7	Resistor, Composition: 22 megohms, 10%; 1/2 W	RC-20BF226K	S-1	Switch, Selector	S - 539-118
R-8	Resistor, Composition: 1 megohm, 10%; 1/2 W	RC-20BF105K	S-2	Switch, Power: Part of R-14	- - -
R-9	Resistor, Composition: 47,000 ohms, 10%; 1/2 W	RC-20BF473K	T-1	Transformer, Output	T - 539-117
			T-2	Transformer, Power	T - 539-116

**RESISTANCE REFERENCE CHART**

TUBE	SOCKET PINS								
	1	2	3	4	5	6	7	8	9
V-1 6SC7	0	INF.	22M	2.2M	INF.	0	0-100*	0-100*	-
V-2 6AN8	INF.	INF.	100K	0-100*	0-100*	INF.	INF.	220K	1250
V-3 6Y6	-	0-100*	INF.	INF.	470K	-	0-100*	250	-
V-4 6V6	-	0-100*	INF.	INF.	470K	-	0-100*	250	-
V-5 5Y3	-	INF.	-	100	-	100	-	INF.	-

**CAUTION:** Be certain to disconnect AC line cord when making these measurements.

All resistance in ohms unless otherwise specified. M equals megohms. K equals kilohms.

\*Depends on setting of hum adjustment control.

Measurements taken with respect to chassis.

Where V-3 and V-4 are 6CM6 tubes, see schematic for equivalent pin numbers.

**VOLTAGE REFERENCE CHART**

TUBE	SOCKET PINS								
	1	2	3	4	5	6	7	8	9
V-1 6SC7	0	120	-0.8	-0.6	120	0	6.3 AC Across Pins 7 & 8		-
V-2 6AN8	270	100	120	6.3 AC Across Pins 4 & 5		100	32	0	1
V-3 6V6	-	6.3 AC to Pin 7	335	315	0	-	6.3 AC to Pin 2	21	-
V-4 6V6	-	6.3 AC to Pin 7	335	315	0	-	6.3 AC to Pin 2	21	-
V-5 5Y3	-	375	-	350 AC	-	350 AC	-	375	-

**NOTES:** Line voltage set at 117V, 60 cycles. Voltage readings may vary ± 10% under normal operating conditions. All voltages read with vacuum tube voltmeter, under no-signal condition.

Voltages read with respect to chassis and are D.C. unless otherwise specified. Band switch set at RIAA. Volume and tone controls maximum counterclockwise. Power switch on.